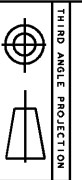
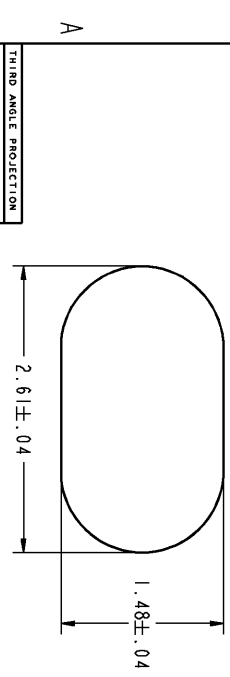
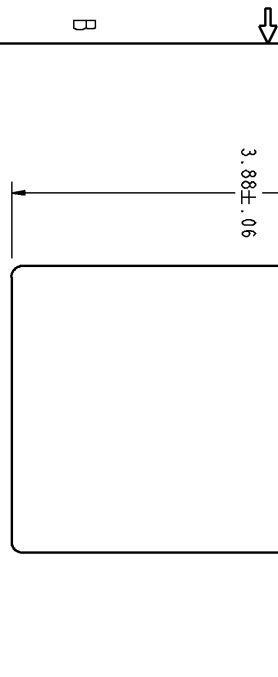
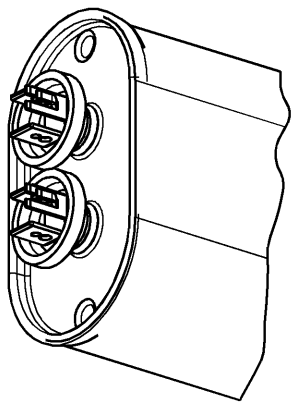
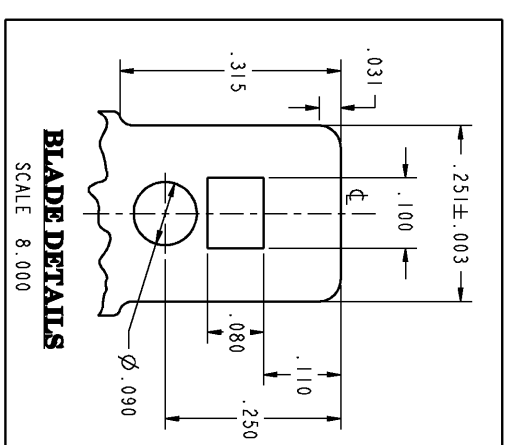
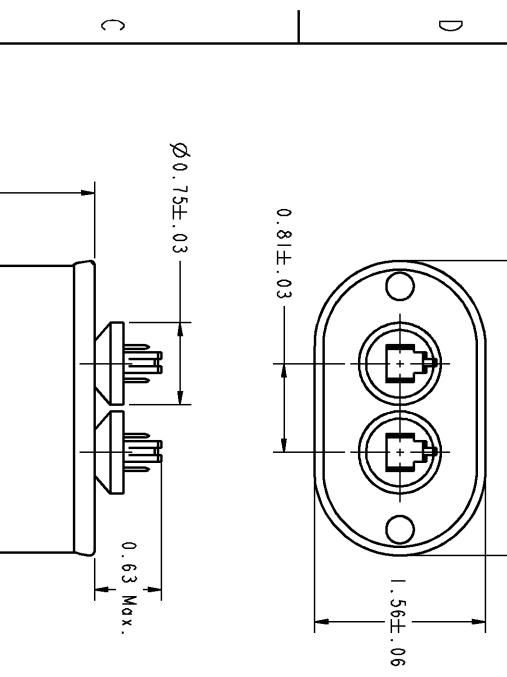


| | | | |
|---------------------------|--|----------|----------|
| REV. 1 | | DATE | APPROVED |
| DESCRIPTION | | DATE | APPROVED |
| REVISED PER ECN NO. 0627. | | 11/11/05 | HV |



SPECIFICATIONS:

"GEM-III Capacitors are manufactured with High Grade Metallized Polypropylene Film"

- Main Capacitance : 14.50µF ±3%
- Secondary Capacitance : NULL
- Volts : 580AC
- Leakage Current : 30µA Max.
- Frequency : 50/60 HZ
- Operating Temperature : -40 DEG C TO 90 DEG C
- Storage Temperature : -40 DEG C TO 90 DEG C
- Operative Life : 60,000 HRS WITH 94% SURVIVAL
- Dissipation Factor : ±0.1% MAX.
- Case Material : ALUMINIUM
- Cover Material : TERMPLETE
- Terminals : 0.250"X0.031" Quick Connect Blades
- Dielectric Fluid : DIELEKTROL VI
- Internal Protection : UL RECOGNIZED PRESSURE SENSITIVE INTERRUPTER

| | | | | |
|---|---------|--------------|----------|------|
| FOR ADDITIONAL INFO REFER TO: | | SIGNATURES | | DATE |
| PART NO. | MODEL | RAJIBU, P.H. | 09/13/04 | |
| MANUFACTURER'S SPECIFIED DIMENSIONS ARE IN INCHES | DETAIL | RAJIBU, P.H. | 09/13/04 | |
| TOLERANCE ON: | CHECKED | RAJIBU, P.H. | 09/13/04 | |
| 1 PL DECIMALS ± 0.1 | ENGRS | | | |
| 2 PL DECIMALS ± 0.01 | WKS | | | |
| 3 PL DECIMALS ± 0.001 | QUALITY | | | |
| ANGLES ± 0.5 | ISSUED | | | |
| FRACTIONS ± | | | | |
| FINISH | | | | |

14 13 12 11

REGAL
REGAL-BELOW CORPORATION

GEM III CAPACITOR
OUTLINE DRAWING

SCALE: 1.250 REF. NO. 97F6948 REV. 1 SHEET 1 OF 1